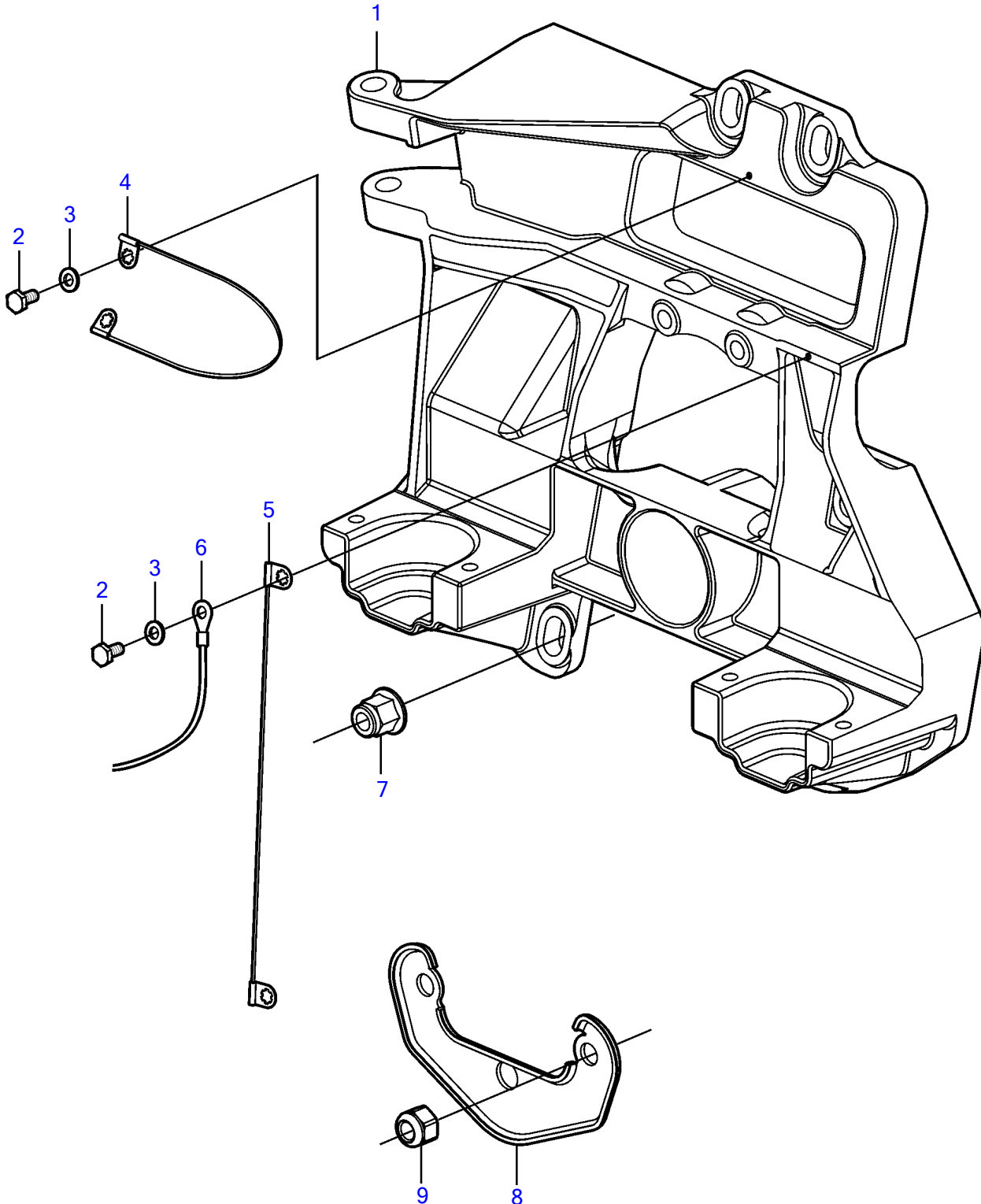


X-B, X-BLT, XHP-B, XHP-BLT, XXP-A, XXP-ALT, XXP-D3



X-B, X-BLT, XHP-B, XHP-BLT, XXP-A, XXP-ALT, XXP-D3

REF	PART NO.	QTY	DESCRIPTION	NOTES
1	3854605	1	Shield	
2	3852050	2	Screw	
3	3852193	2	Washer	
4	3857347	1	Ground cable	
5	3857347	1	Ground cable	Not used on later versions.
6	3853927	1	Chassis ground cable	
7	977938	6	Flange lock nut	
8	3852605	1	Bearing plate	
9	963108	2	Lock nut	